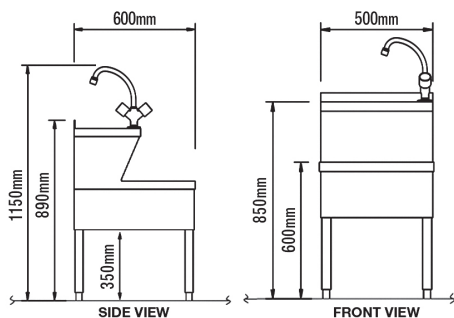


INSTRUCTIONS

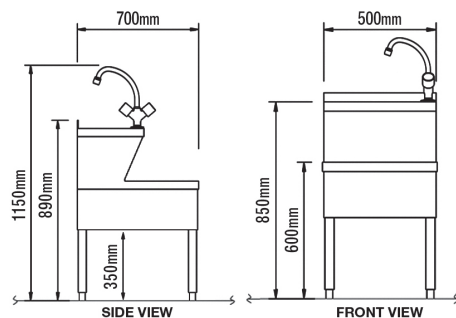
STAINLESS STEEL JANITORIAL SINKS

BASIX
manufactured by **MECHLINE**

Model: BSXJTS600



Model: BSXJTS700



GENERAL

BaSix products are designed to be easy to install. Before installation ensure that the wall structure is sufficiently sound and ensure that suitable wall fixings are used. If in any doubt, do not complete the installation.

Mechline can accept no responsibility for loss or damage caused as a result of poor installation or operator misuse. Advise the customer regarding the safe operation of the product(s) before leaving site.

CARE & MAINTENANCE OF YOUR BASIX PRODUCT

All grades of stainless steel can stain and discolour through general use. In order to keep your BaSix product in good condition, it should be kept as clean as possible. With proper care, your BaSix product will give many years of service life.

Care should be taken during installation to ensure that surface contamination is avoided. The best way to do this is to leave the protective plastic film in place as long as possible during installation, and then remove it just before the product is used.

For general cleaning use soap or mild detergent and water on a sponge. Rinse with clean water and wipe dry if necessary. For heavier stains use a mild household cleaning solution, rinse well with clean water and wipe dry if necessary. Avoid abrasive cleaning products such as scourers.



The use of suitable PPE, such as gloves, is recommended when cleaning or maintaining this product.

Thank you for choosing products from Mechline's BaSix range.

MECHLINE DEVELOPMENTS LIMITED UNIT 15, Carters Lane, Kiln Farm, Milton Keynes, MK11 3ER
Tel: +44 (0) 1908 261 511 | Fax: +44 (0) 1908 261 522 | Email: info@mechline.com | Web: www.mechline.com

INSTRUCTIONS

REVISION: 01/2016

©2016 All rights reserved. All material on these pages, including and without limitation text, logos, icons, photographs and all other artwork, is copyright material of Mechline Developments Ltd, unless otherwise stated. Commercial use of this material may only be made with the express, prior, written permission of Mechline. This includes material provided by any third party, including material obtained through links to other sites from Mechline's pages or its affiliates and commercial associates. Material and information included are correct at time of print. Intending buyers and users must satisfy themselves as to the suitability and safety of the products for their particular purposes and duties. Dimensions shown in mm unless otherwise stated. Product accreditation may not apply to all products in the relevant range. Please contact Mechline to confirm. Unless otherwise stated, all products carry a warranty of twelve (12) months against manufacturing defect or workmanship on parts with no inclusion for labour or site attendance.

BSX0017